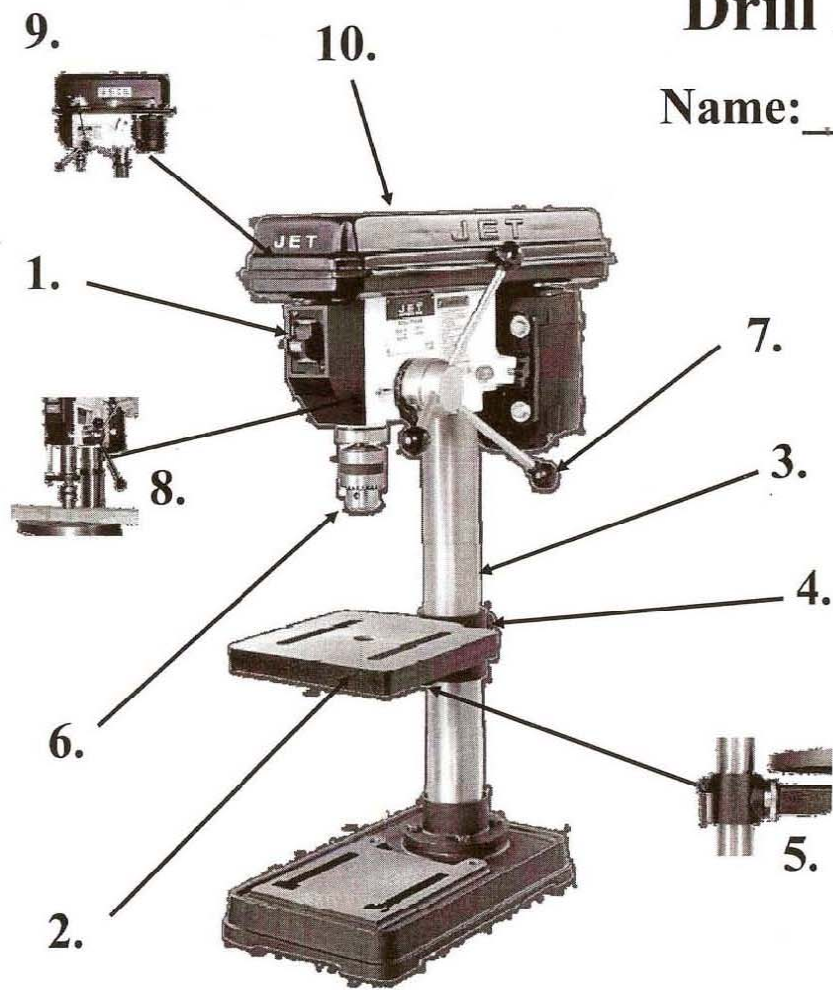


Drill Press Exam- Part 1

Name: _____



1. on/off
2. table
3. column
4. table lock
5. Index pin
6. key chuck
7. Universal feed lever
8. Depth stop/ depth guide
9. speed adjustment
10. Protects you from belts

9/10